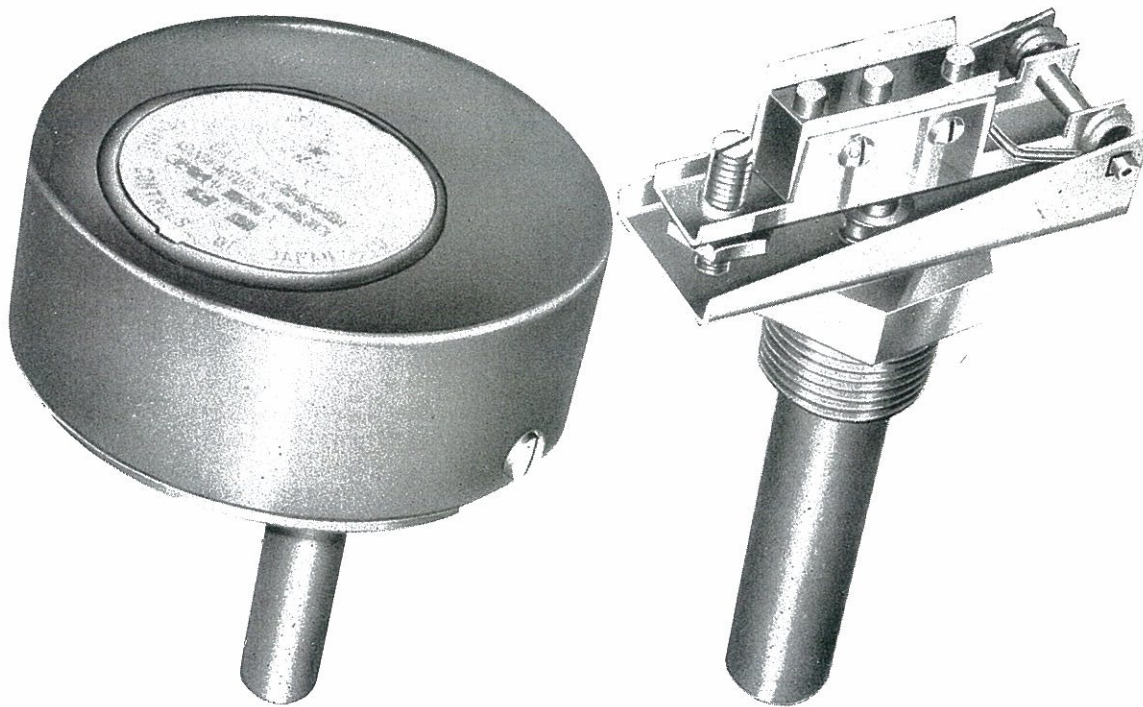


# NON-INDICATING, MINIATURIZED THERMOSTATS

Liquid Expansion Snap-Action THERMOSWITCH<sup>®</sup> Controls

SERIES 23000, 23100, 23300, 23700, 23800



**CONTROLS TEMPERATURE . . . PRECISELY**

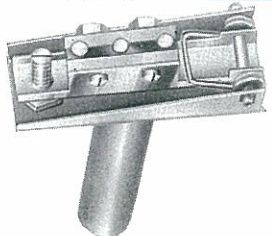
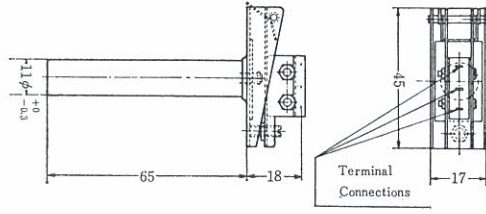
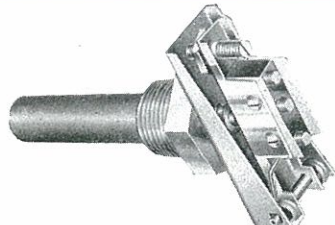
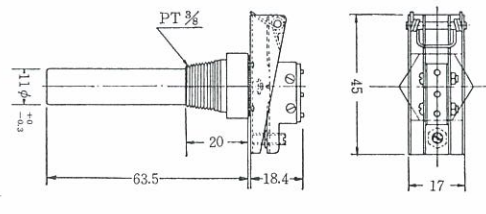
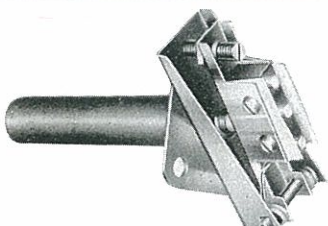
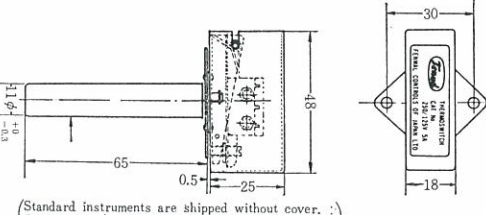
FENWAL INCORPORATED, ASHLAND, MASS.

FENWAL INTERNATIONAL LIMITED.

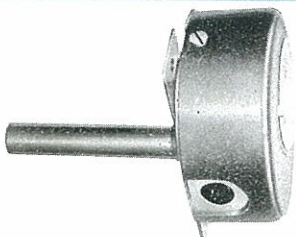
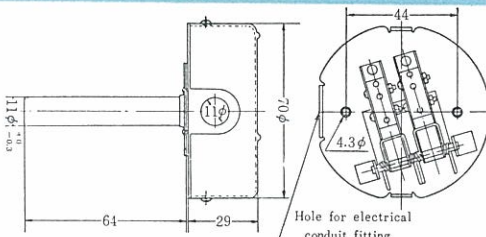
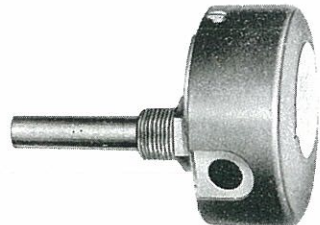
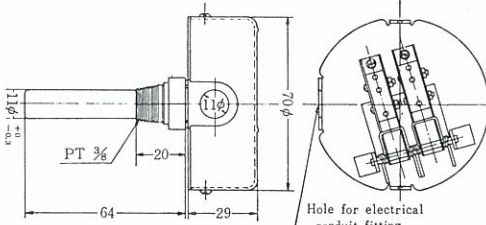
104 Rue de Birmingham  
BRUSSELS 7. Belgium.

MANUFACTURED BY  
FENWAL CONTROLS OF JAPAN, LTD.  
LICENSEE OF FENWAL INC.

## Miniaturized Single Switch Controller

Configuration	Dimension	Description
		Series 230 XX Open Frame, Differential : $\pm 1.7^\circ\text{C}$ Material : Probe & Head—Brass or S. Steel Bracket—S. Steel
		Series 231XX Open Frame, Immersion fitting, Differential : $\pm 1.7^\circ\text{C}$ Material : Probe & Head—Brass or S. Steel Bracket—S. Steel
	 <p style="font-size: small;">(Standard instruments are shipped without cover. :) By request, cover is provided with instrument.)</p>	Series 233 XX Open Frame, Flange mount, Differential : $\pm 1.7^\circ\text{C}$ Material : Probe & Head—Brass or S. Steel Bracket—S. Steel

## Miniaturized Dual Switch Controllers

		Series 237 XX Junction box, Flange mount, Differential : $\pm 1.7^\circ\text{C}$ Material : Probe & Head—Brass or S. Steel Bracket—S. Steel
		Series 238 XX Junction box, Immersion fitting Differential : $\pm 1.7^\circ\text{C}$ Material : Probe & Head—Brass or S. Steel Bracket—S. Steel

Last 2 digits Catalog No.	Temp. Range	Current Rating
00	80°~150° C	AC
10	30°~100° C	5 A, 125-250 V
20	-20°~ 50° C	DC
00S	Same as 00, Type..... S.Steel Shell	
10S	" 10	" "
20S	" 20	" "

Note : 1) Extended length shells available on special order.

Note : 2) When ordering, combine last digits of the catalog number with the first three.  
 EXAMPLE : Catalog No. 23820 is a junction box immersion fitting type with -20° to 50° C temperature range.